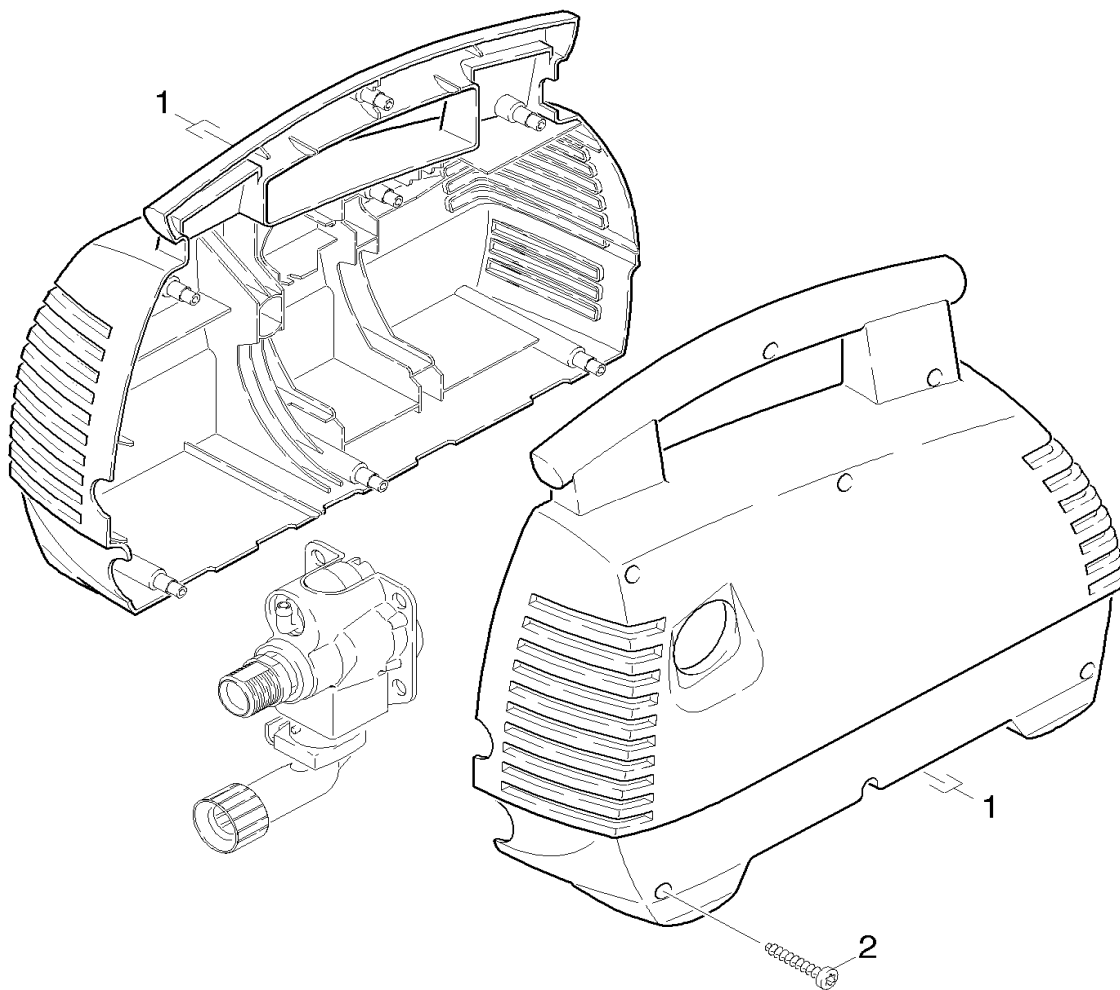


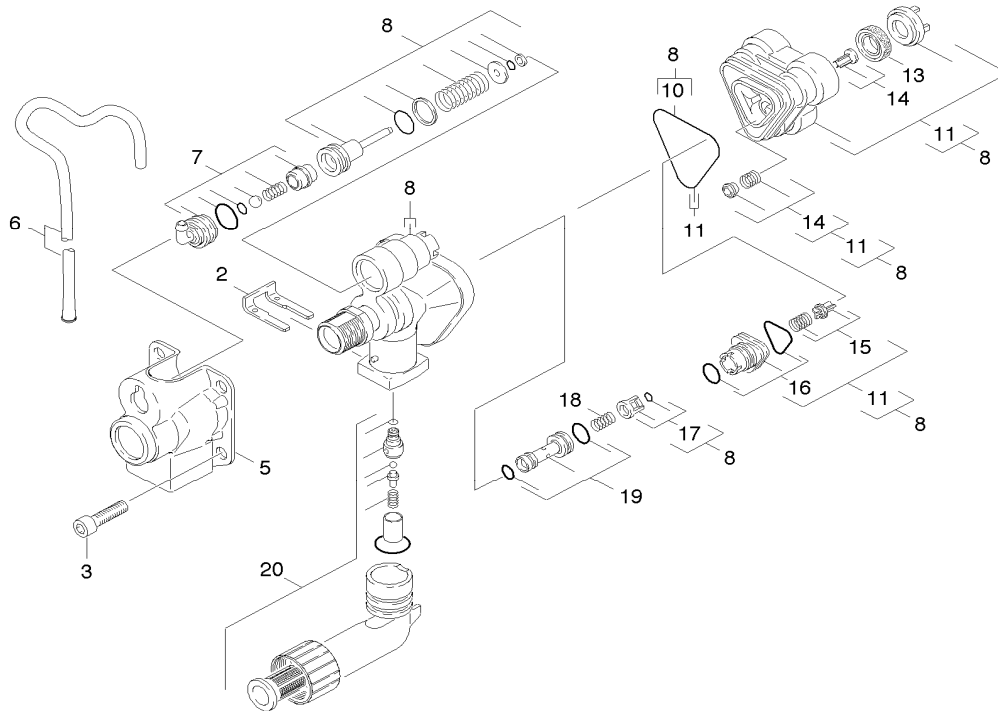
PARTS BREAKDOWN FOR K2.93 Plus (v1) (1.601-103.0)

Location	PN	DESCRIPTION	QTY
PIECE PARTS			
1	97600510	K2.93 shells	1
2	90861730	Screw Hi-Lo d.4x22 Torx-d.7,5	9



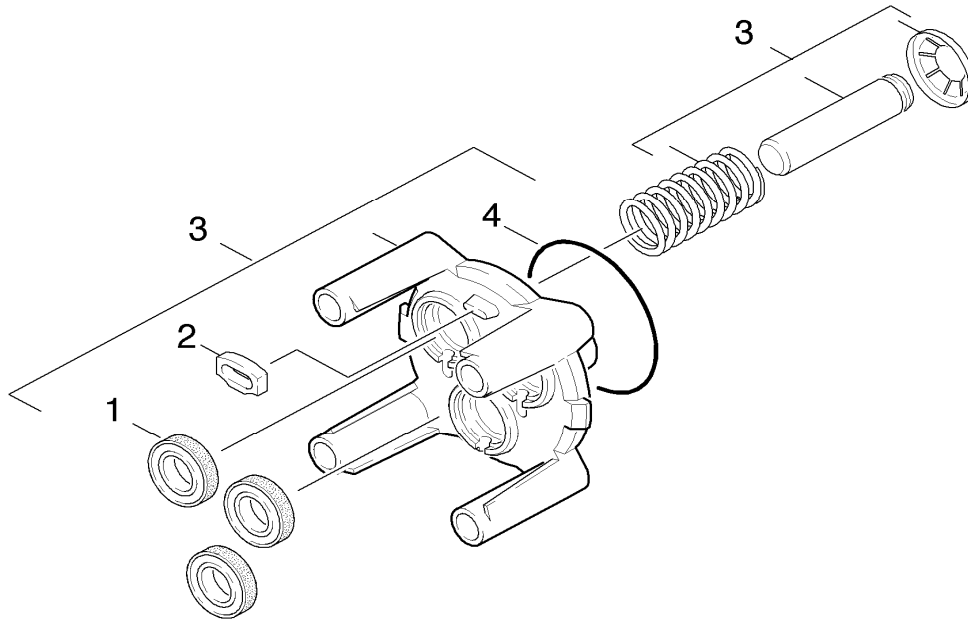
PARTS BREAKDOWN FOR K2.93 Plus (v1) (1.601-103.0)

Location	PN	DESCRIPTION	QTY
PUMP - HOUSING			
2	90391480	Metal fork	1
3	90862000	Screw M 8x55 Class 8.8	4
5	90391660	Cover	1
6	90119110	Filter cleaning agents W107/207	1
7	90112850	Aspiration cleaning agents	1
8	90012160	Cylinder head and control head	1
10	90814220	Form seal	1
11	90012150	Spare parts set cylinder head	1
13	63628750	Grooved ring	3
14	90011100	Moulded part complete	1
15	90011490	Spare parts set valve	1
16	90011060	Joining piece	1
17	90011070	Cage complete	1
18	90470260	Spring	1
19	90011080	Injector complete	1
20	97760300	Suction connection complete	1



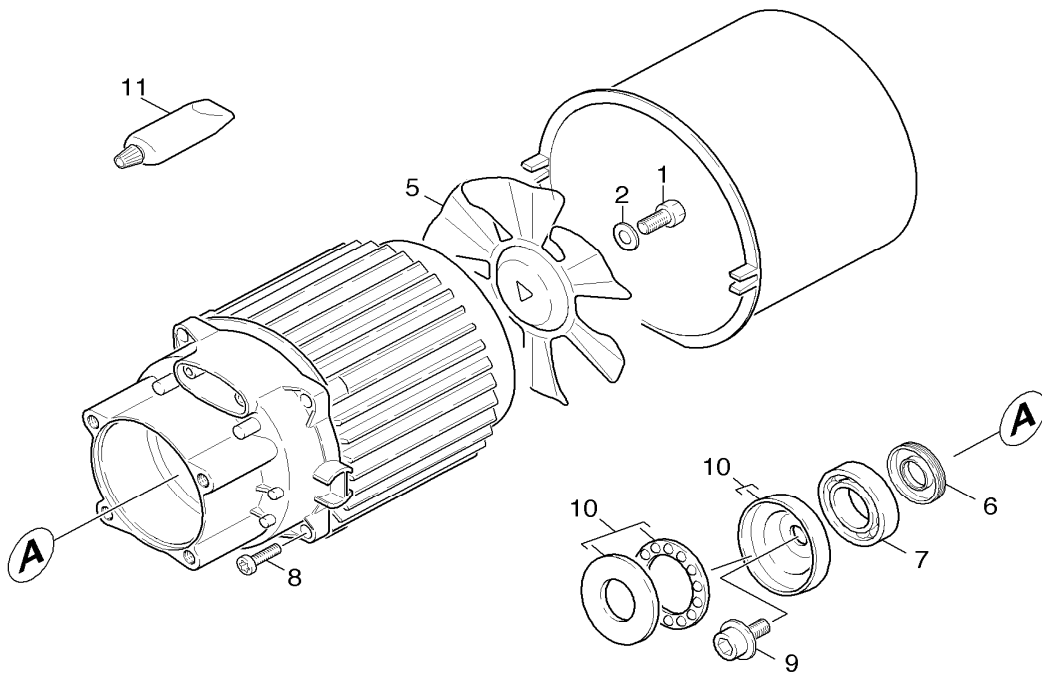
PARTS BREAKDOWN FOR K2.93 Plus (v1) (1.601-103.0)

Location	PN	DESCRIPTION	QTY
PUMP - PISTON GUIDANCE			
1	69640260	SEAL	3
2	90480710	Spacer - Seal	1
3	90012510	Piston guidance complete	1
4	63628260	GASKET 61,6 X 2,62	1



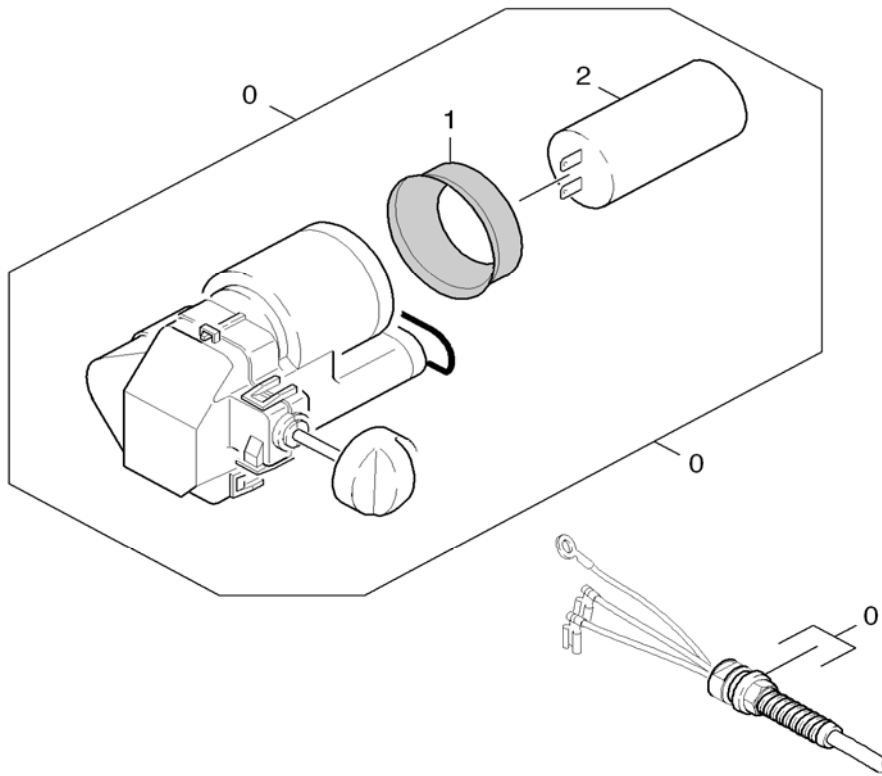
PARTS BREAKDOWN FOR K2.93 Plus (v1) (1.601-103.0)

Location	PN	DESCRIPTION	QTY
MOTOR			
1	73043950	Hexagonal head screw M8x16-8.8-A2E ISO	1
2	73122330	Serrated lock washer A8,4-FSt-A3E DIN67	1
5	90391880	Blower wheel	1
6	90780080	Sealing ring d. 15x24x5 NBR 70	1
7	74010100	Ball bearing 6303 -St DIN 625	1
8	90861530	CYLINDER HEAD KPL.	4
9	90861690	Wobble plate screw M8x16	1
10	90013020	Swash plate	1
11	69640920	Viscous oil 50ml	1



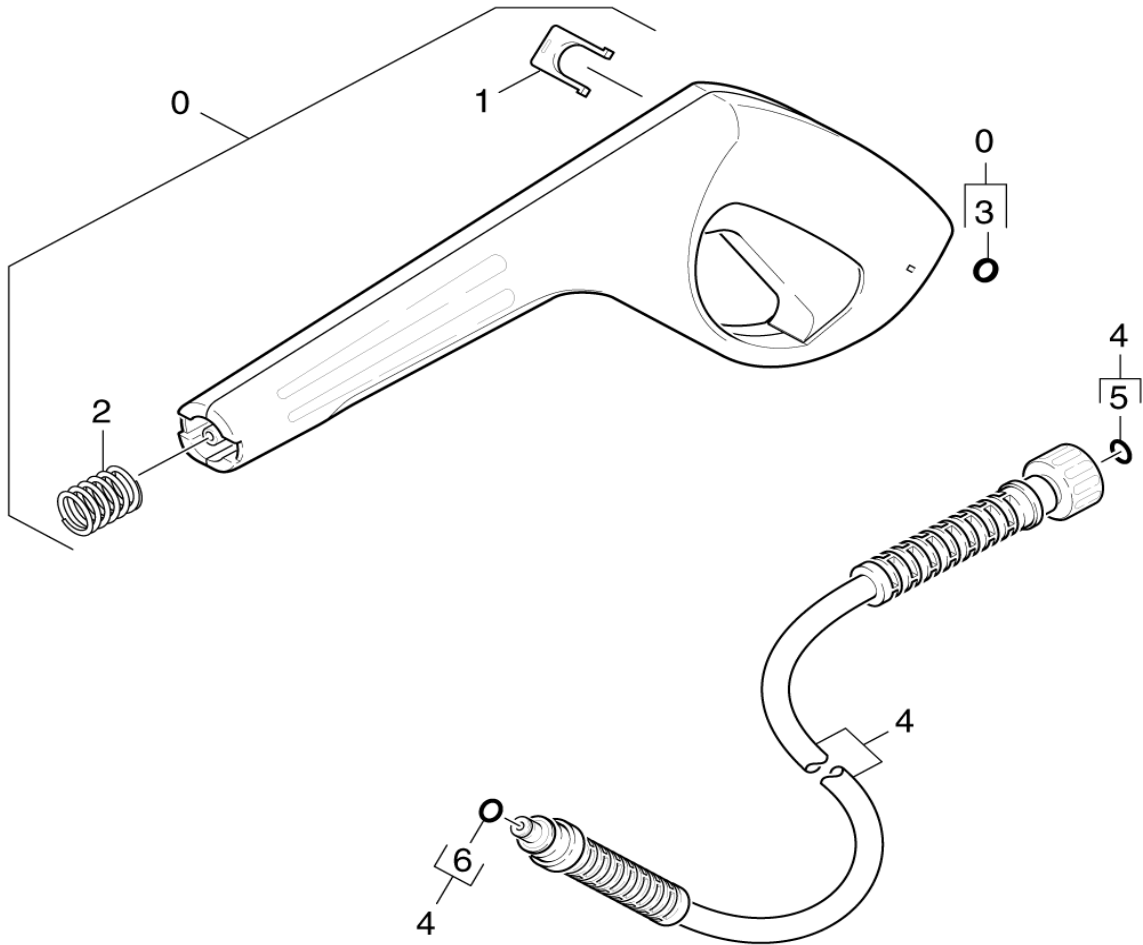
PARTS BREAKDOWN FOR K2.93 Plus (v1) (1.601-103.0)

Location	PN	DESCRIPTION	QTY	from SN	to SN
ELECTRICAL BOX					
0	97602010	Electric box complete K2.93 Spare Part	1		
1	90804210	Joint ring capacitor d.45, 70 Shore	1		
2	66611960	Capacitor 60μF	1		



PARTS BREAKDOWN FOR K2.93 Plus (v1) (1.601-103.0)

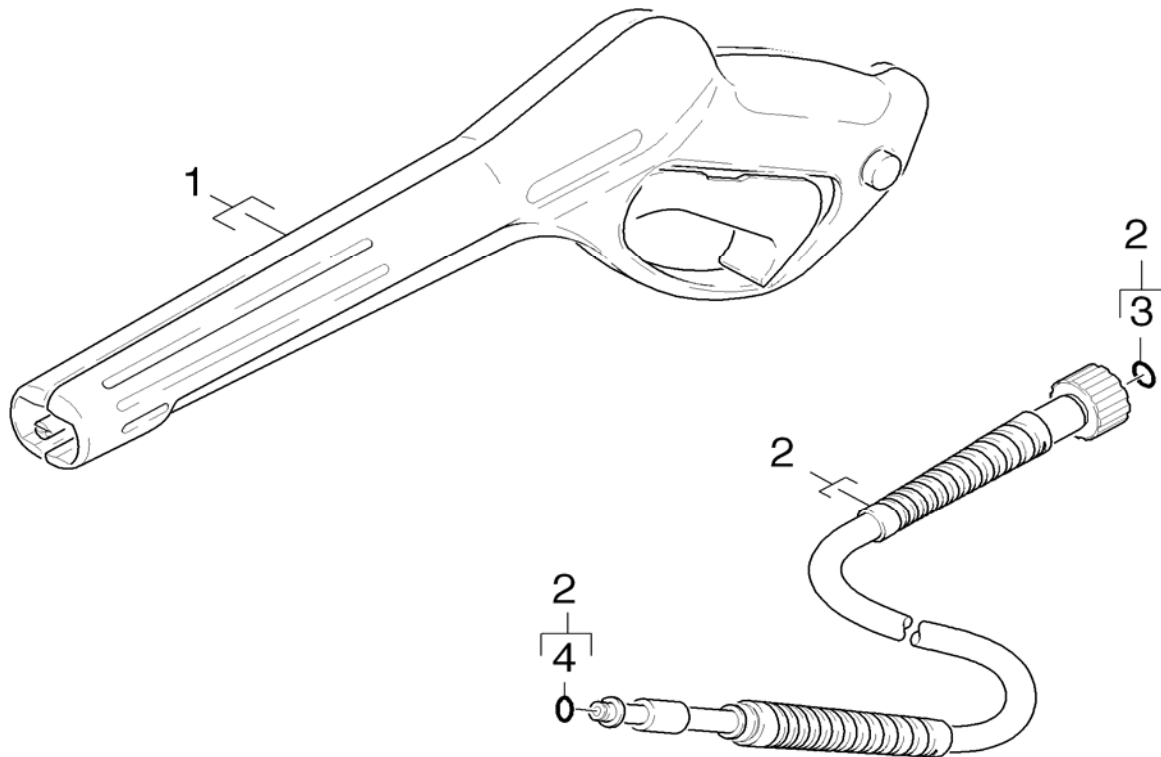
Location	PN	DESCRIPTION	QTY
ACCESSORIES - TRIGGER GUN			
0	26412020	Pistol-M replacement packaged V1.1 RM K2	1
1	50371640	CLAMP	1
2	53324640	Pressure spring	1
3	63631980	GASKET	1
4	63908710	High pressure hose 6/11MPa	1
5	28802960	Spare part set O-Ring seal 5x-Kaercher	1
6	63624980	O-Ring seal 6,75x1,78 NBR 70	1



THERE ARE NO INTERNAL PARTS AVAILABLE FOR THIS TRIGGER GUN

PARTS BREAKDOWN FOR K2.93 Plus (v1) (1.601-103.0)

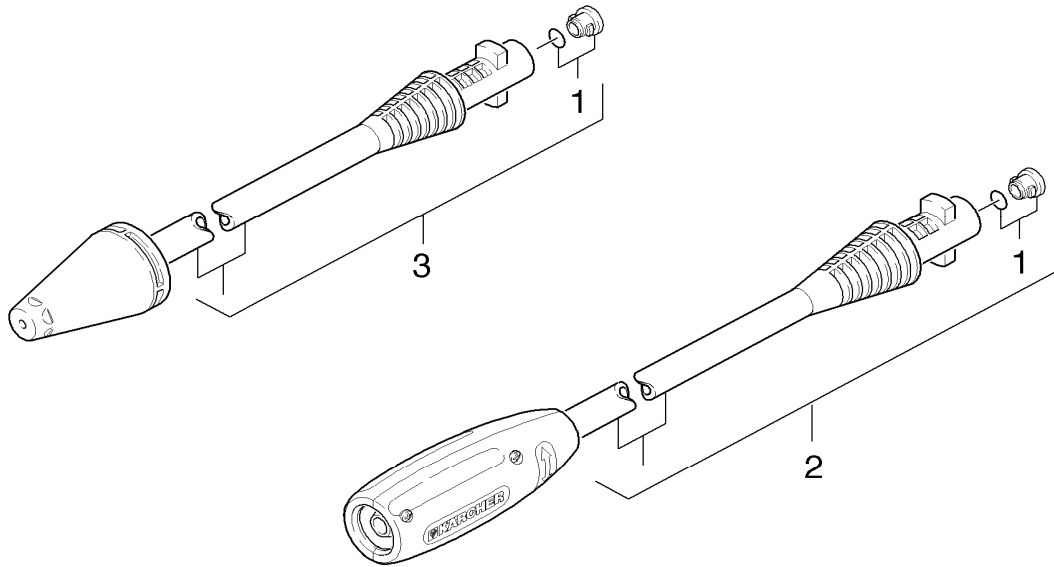
Location	PN	DESCRIPTION	QTY
ACCESSORIES - TRIGGER GUN optional			
1	47753310	Pistol replacement 97K	1
2	63915710	High pressure hose 6/11MPA, neutr.,40G,M	1
3	28801540	O-Ring kit	1
4	63624980	O-Ring seal 6,75x1,78 NBR 70	1



THERE ARE NO INTERNAL PARTS AVAILABLE FOR THIS TRIGGER GUN

PARTS BREAKDOWN FOR K2.93 Plus (v1) (1.601-103.0)

Location	PN	DESCRIPTION	QTY
ACCESSORIES - SPRAY WAND			
1	26407290	O-Ring seal set	1
2	47605200	VPS K2 026	1
3	47639910	ROTARY NOZZLE	1



THERE ARE NO INTERNAL PARTS AVAILABLE FOR KARCHER SPRAY WANDS